

CALCULATE ARM LENGTH

To calculate the arm length:

Subtract the *height of the output shaft and concrete pad (40")* from the *height to ceiling*.

EXAMPLE:

If height to ceiling is 8'3" (99"), calculation is as follows:

99" (height to ceiling) - 40" (height of the output shaft and concrete pad) = 59"

Lower arm should be **59"**.

INSTALLATION

1 Drill 1/2" diameter hole 4-1/2" up from the center of the output shaft and 4-1/2" back from the center of the output shaft (Figure 1).

2 Attach gate arm (lower) to arm hub flange (Figure 2).

CARTON INVENTORY		
PART #	ITEM	QTY
01-G0711	Installation Instructions	1
07-8043	1" O.D. x 1/2" I.D. x 1-1/2"L Spacer	1
10-8041	Hinge Plate	2
12-8041	3/4" O.D. x 3/8" I.D. x 7/8"L Spacer	2
12-8049	Female Rod End	2
82-HN38-20	3/8"-16 x 1-1/2"L Hex Bolt	5
82-HN50-22	1/2"-13 x 1-3/4"L Hex Bolt	1
65-1201-L	Lower Arm*	1
65-1202-L	Extension (Upper) Arm*	1
82-HN50-52	1/2"-13 x 3-1/4"L Hex Bolt	1
84-LH-50	1/2"-13 Nylock Nut	1
84-RH-50	1/2"-13 Hex Nut	1
84-RH-52	1/2"-20 Hex Nut	2
84-WH-38	3/8"-16 Serrated Hex Nut	5
85-FW-50	1/2" Flatwasher	4
85-LS-50	1/2" Lockwasher	3
11-8045	Linkage Rod*	1

* Supplied with "Articulated Wood Arm" Kit, part # G651210

* Not supplied with "Articulated Wood Arm Hardware Kit", part # G651210K

Figure 1

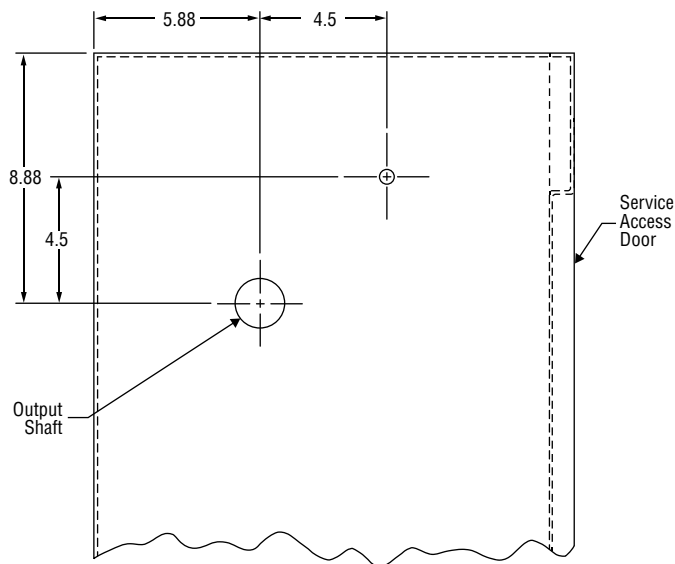
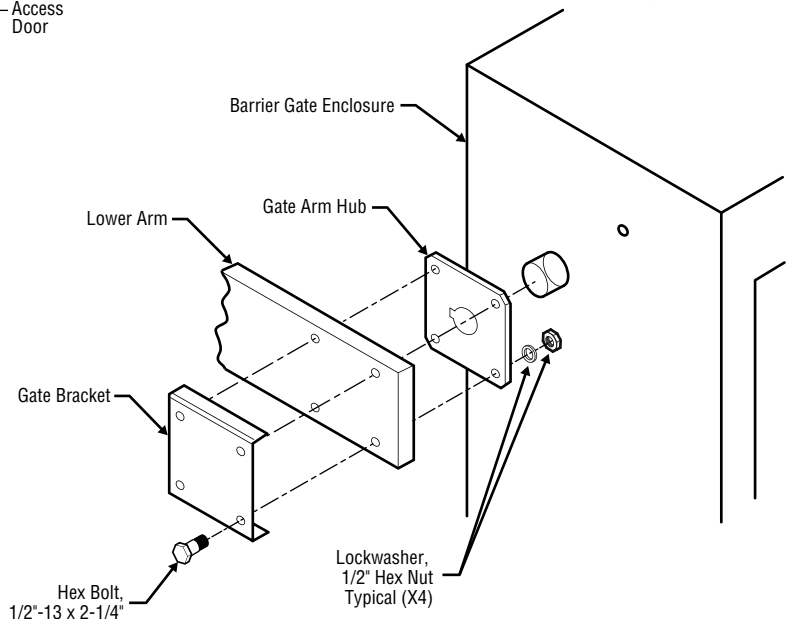


Figure 2



INSTALLATION CONTINUED

- 3** Attach spacer and rod end to unit (Figure 3).
- 4** Assemble hinge plate to lower and upper arms (Figure 4).
- 5** Place 1/2"-20 hex nut and 1/2" lockwasher on linkage rod by the unit and screw rod into rod end mounted on unit (Figure 5).
- 6** If necessary, level the upper arm by turning the linkage rod.

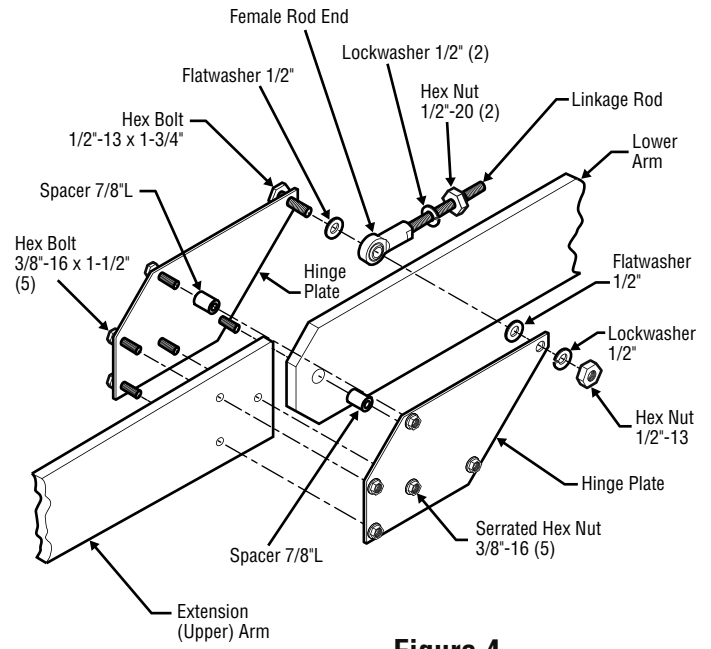
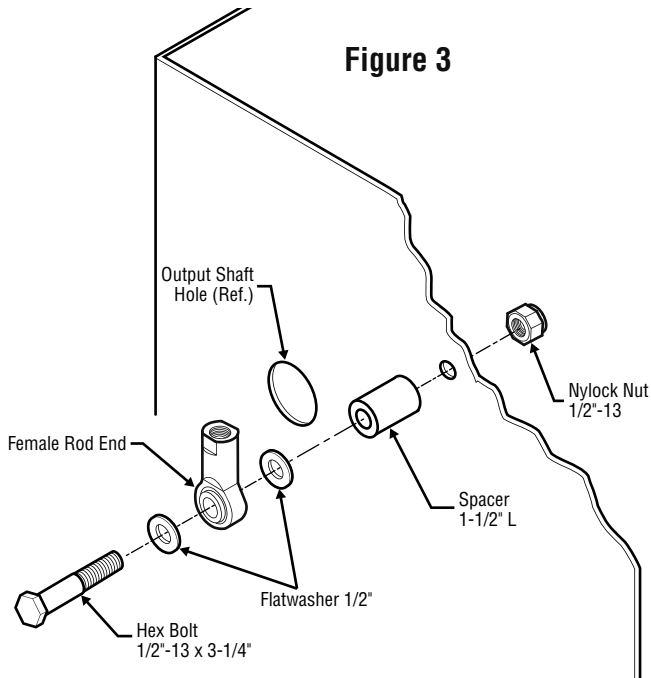


Figure 5

